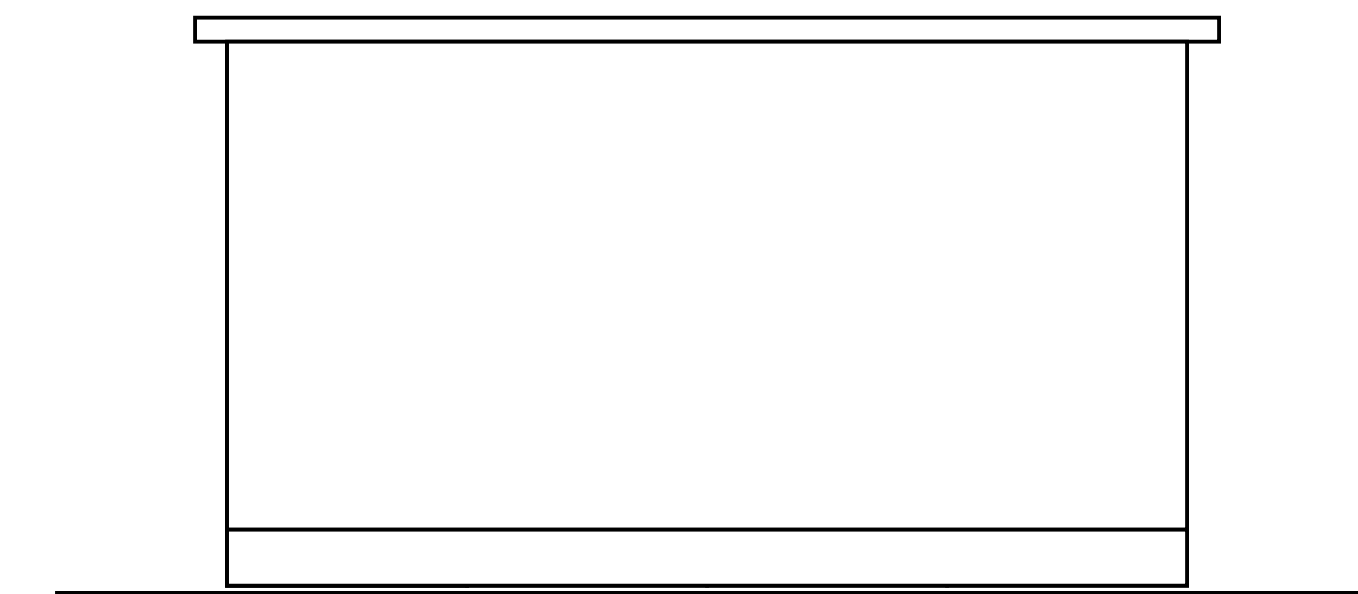
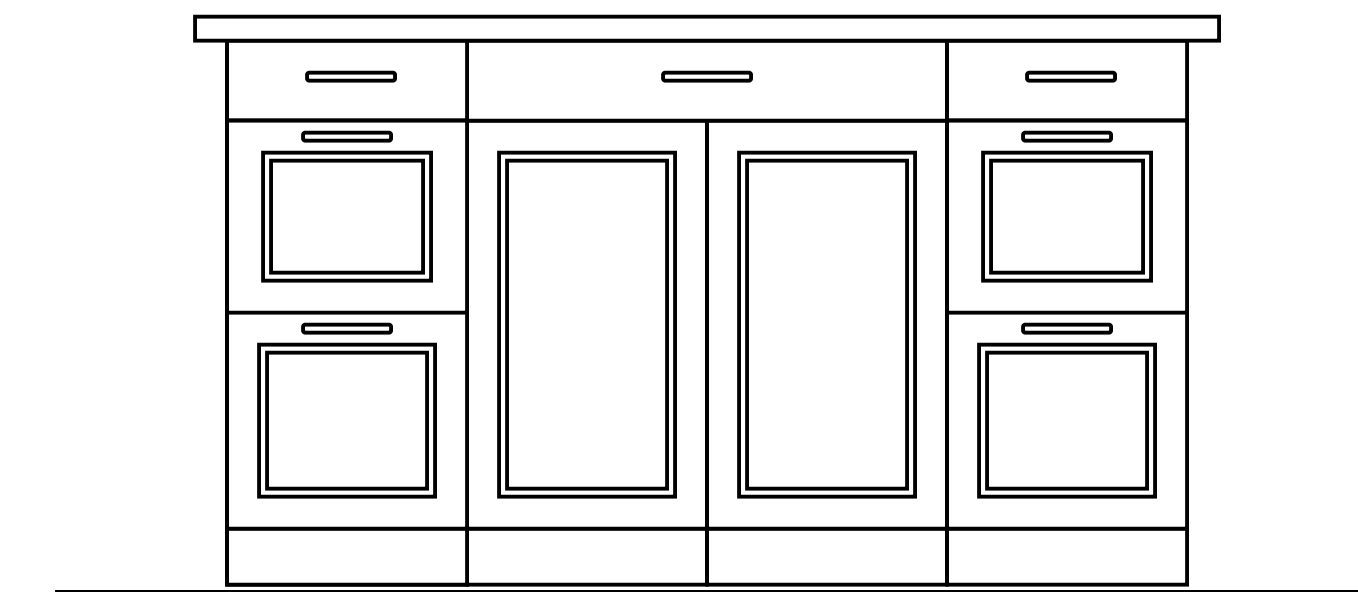




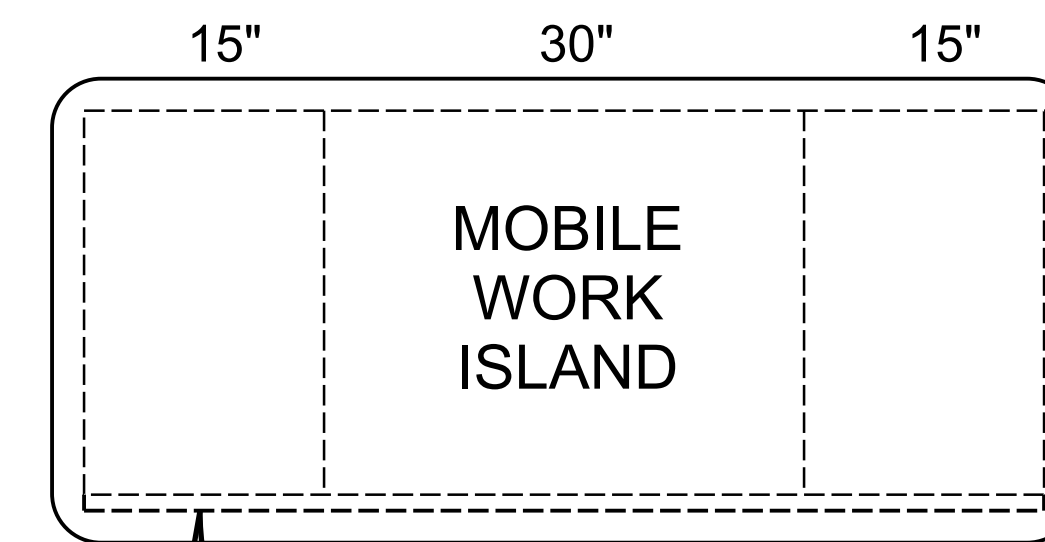
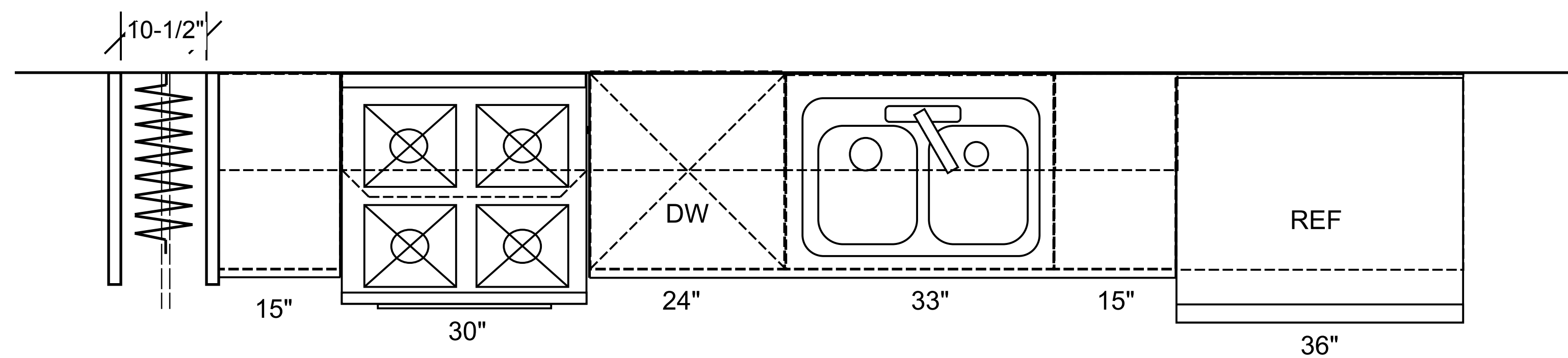
KITCHEN CABINET ELEVATION



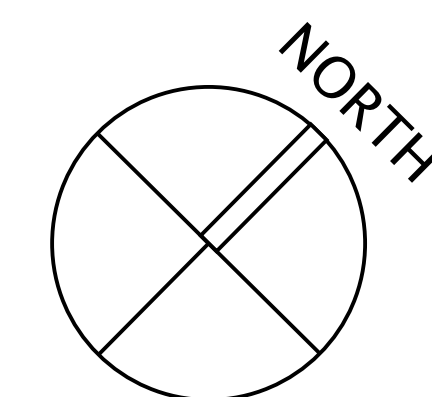
ISLAND REAR ELEVATION



ISLAND CABINET ELEVATION



1" P. LAM. PANEL



# CABINETRY - PHASE 2



**A11**

PROPOSED PORTABLE SHELTER VILLAGE DEVELOPMENT AT:  
**304 NORTH THIRD STREET**  
 OWNERS: OM BUILD | 4235-B ARGOSY COURT | MADISON, WI 53704

Phase2 Schematics: 01-13-21  
 Phase2 w/Vestibule: 01-30-21  
 Phase2 Check Set: 02-26-21

**GREEN DESIGN STUDIO**  
**EDWARD KUHARSKI, ARCHITECT**  
 405 SIDNEY STREET | MADISON, WI 53703 | 608.469.5963  
 ekuharski@aol.com